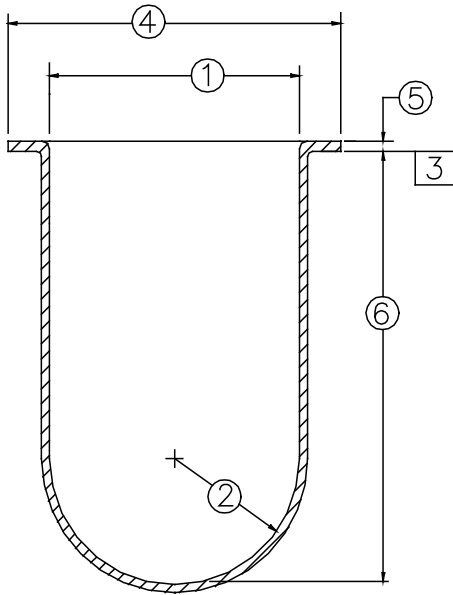


## *UltraCenter™ ASTM900-UN Dissolution Vessel*



### *Provides Ultimate Dimensional Accuracy*

	Feature	Dimension (mm)	Tolerance
1	Inside Dia.	101.19	+/- .13
2	Spherical Rad	50.59	+/- .13
3	Rim Squariness	Square to center	.10 TIR
4	Rim Diameter	133.00	+/- .10
5	Rim Thickness	3.75	+/- .10
6	Depth	161.25	+/- .20

*UltraCenter™ Vessels provide ultimate control of dissolution variables (CV) and assist with instrument calibration in accordance with ASTM E 2503-07*

*UltraCenter™* Dissolution Vessels are produced using a unique process which results in extremely close dimensional tolerances. *UltraCenter™* Vessels are essentially identical to one another and are therefore interchangeable. Precise vessel geometry helps achieve enhanced Mechanical Calibration to ASTM E 2503-07 which states, “Once a unit meets all of the mechanical specifications included in ASTM E 2503-07, it is considered calibrated and further calibration with dissolution calibrator tablets is not required”. Eliminating the need to run calibrator tablets offers dissolution laboratories the opportunity to save significant time and money. Numerous studies have shown that variations in vessel geometry contribute to variability in dissolution rates. Precise vessel geometry aids in calibration with USP calibrator tablets by reducing the coefficient of variation (CV).

### **Vessel Mounting Adapters:**

Bath Manufacturer	Model No.	Basic Mount	Enhanced Mount
Hanson	SR8 Plus	CNTRING-ZM	ACCUBKT-HR
Hanson	Vision – not available		
Varian	7000	EZLBKT-01	ACCUBKT-VK
Distek	2100 A, B, & C	RING01-DK	ACCUBKT-DK
Erweka/Caleva	coming soon		
Coply	coming soon		
Pharmatest	not available		